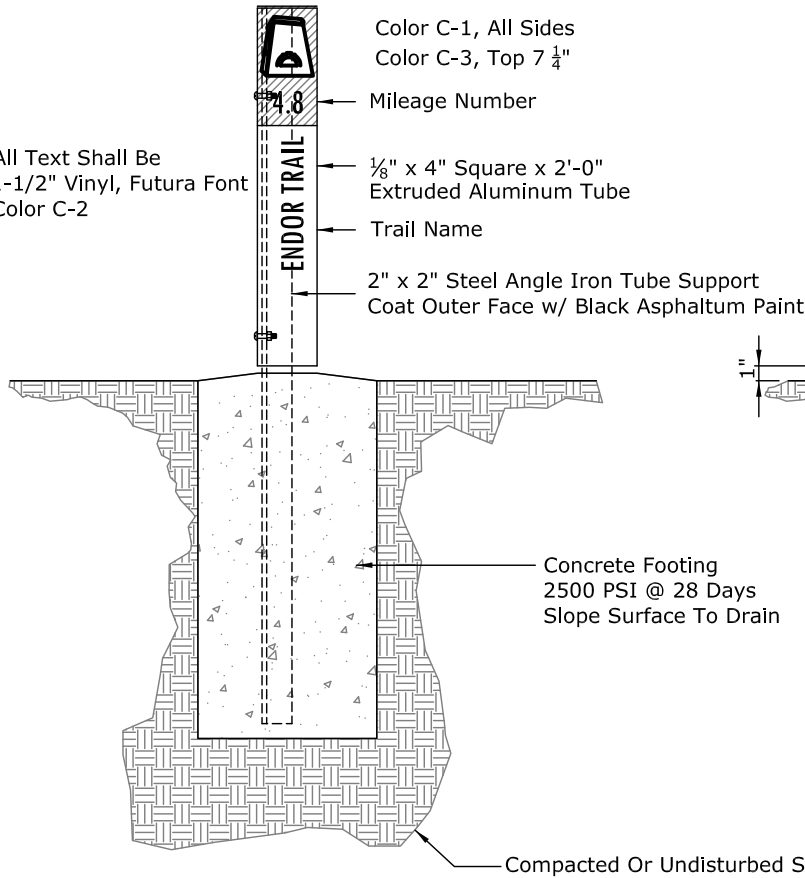
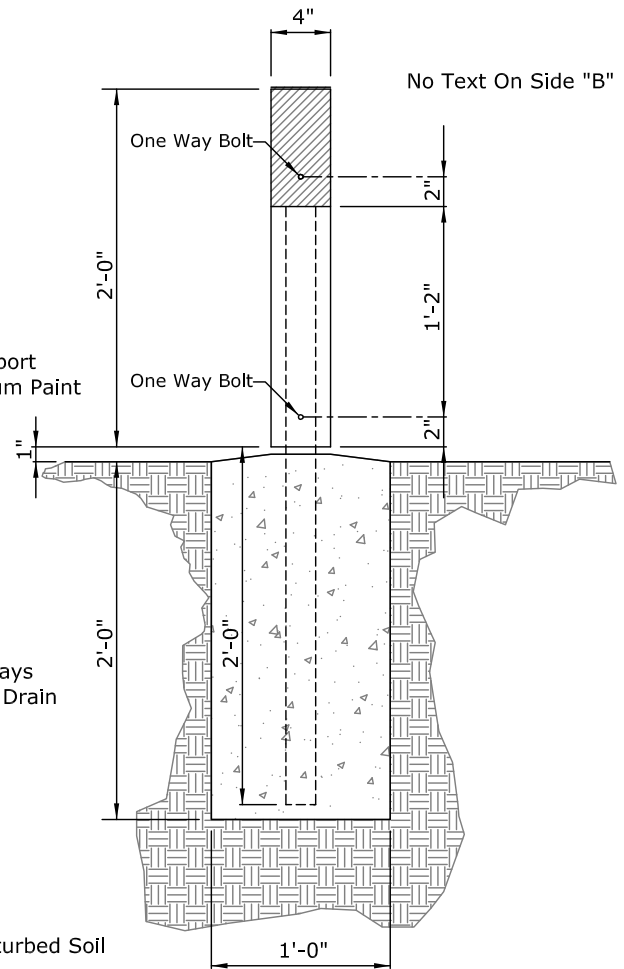


All Surfaces Shall Be Properly Cleaned & Primed w/ White Epoxy Primer  
 Topcoat Shall Be Satin Finish - Acrylic Polyurethane  
 Seal w/ UV Resistant Acrylic Polyurethane Clear Coat

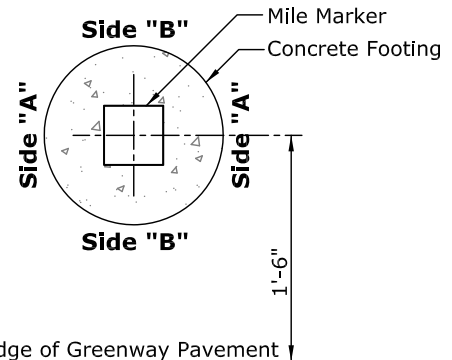
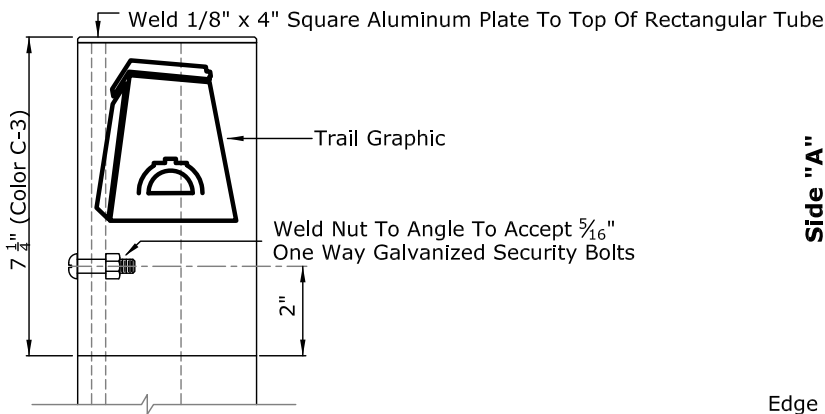
All Text Shall Be  
 1-1/2" Vinyl, Futura Font  
 Color C-2



**Side "A"**



**Side "B"**



**Placement Plan**

Color C-1 (PMS 2955) - Puget Sound Blue Satin Finish  
 Color C-2 - White  
 Color C-3 (PMS 363) - Ophios Green Satin Finish  
 Color C-4 (PMS 130) - Gold Satin Finish

BASF® Color Names Used For Reference - PMS = Pantone Matching System  
 Contractor Shall Submit Color Samples For Approval



# Greenway Trails - Mile Marker Detail

City of Sanford Engineering Dept - P.O. Box 3729 - Sanford, NC 27331

Dwg. No. SD-G-001

Date: 07/10/14

Scale: Not To Scale

Drawn By: Staff